



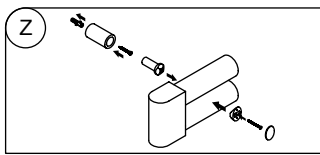
Dinamic plus

| Ref. | A mm | B mm | C mm | Elem. n. | White & Colors | | | Resistenza per misto W | Chrome & Galvanics | | | Peso kg | Cap. lt | Esp. "n" |
|------|-----------|---------|---------|-------------|----------------------------|----------------------------|------------------------------|------------------------------|----------------------------|----------------------------|------------------------------|------------|------------|-------------|
| | | | | | $\Delta t = 50^\circ$ W | $\Delta t = 30^\circ$ W | Resistenza per misto W | | $\Delta t = 50^\circ$ W | $\Delta t = 30^\circ$ W | Resistenza per misto W | | | |
| 900 | SED093050 | 929 | 500 | 450 | 19 | 423 | 230 | 300 | 282 | 153 | 300 | 9,0 | 4,6 | 1,20 |
| | | | | | | 473 | 257 | | 315 | 171 | | | | |
| 1200 | SED121050 | 1209 | 500 | 450 | 25 | 559 | 301 | 500 | 373 | 201 | 300 | 11,4 | 5,9 | 1,21 |
| | | | | | | 609 | 329 | | 406 | 219 | | | | |
| 1500 | SED145050 | 1454 | 500 | 450 | 32 | 680 | 365 | 750 | 453 | 243 | 500 | 13,7 | 7,6 | 1,22 |
| | | | | | | 730 | 392 | | 487 | 261 | | | | |

kcal/h = 0,86 x Watt

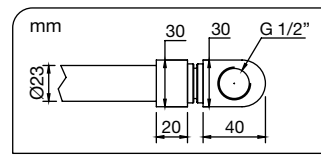
FISSAGGI A PARETE

Wall fastening systems
Systèmes d'installation murale
Sistemas de fijación a la pared



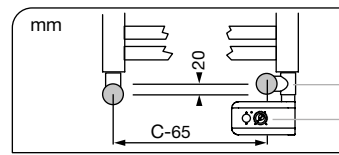
DIMENSIONI CORPO

Radiator body dimensions
Dimensions du corps chauffant
Dimensiones del cuerpo calefactor



INSTALLAZIONE VERSIONE MISTA CON "T"

Installation with heating element and "T"
Installation avec résistance électrique et "T"
Instalación con resistencia eléctrica y "T"

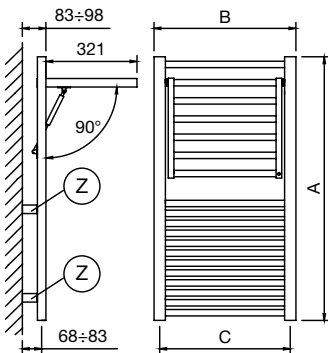


Raccordo a "T"
"T" fitting
Raccord en "T"
Conexión en "T"

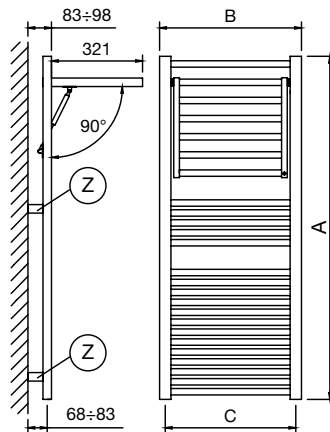
Resistenza con termostato
Resistance with thermostat
Résistance avec thermostat
Resistencia con termostato

A = altezza; B = larghezza; C = interasse
A = height; B = width; C = interaxis
A = hauteur; B = largeur; C = entraxe
A = altura; B = ancho; C = entre ejes

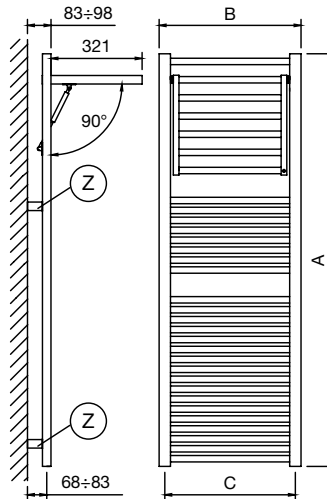
[mm]



Mod. SED 093050



Mod. SED 121050



Mod. SED 145050

NOTE TECNICHE

Temperatura max di esercizio: 90 °C
Maximum operating temperature: 90 °C
Température maximum de fonctionnement: 90 °C
Temperatura máx de funcionamiento: 90 °C

Non disponibile per impianto monotubo
Not available for single-pipe system
Non disponible pour installation mono-tube
No está disponible para instalación monotubo

Pressione max di esercizio: 500 kPa
Maximum operating pressure: 500 kPa
Pression maximum de fonctionnement: 500 kPa
Presión máx de funcionamiento: 500 kPa

Consultare note tecniche di dettaglio pag. 158
Please consult technical notes on page 160
Consulter renseignements techniques détaillés à la pag. 162
Consulte las informaciones técnicas detalladas pag. 164

